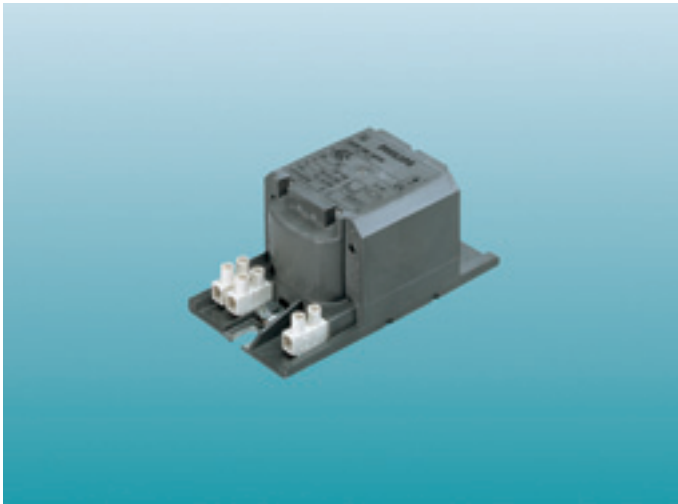
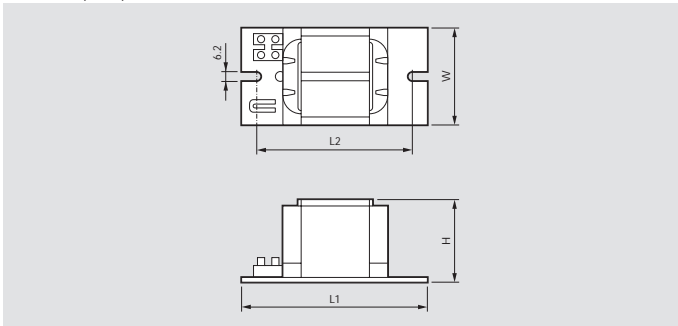


HeavyDuty ballasts for SON, HPI(Plus), MH and CDM lamps with semi-parallel ignitor



HID-HeavyDuty



Dimensions in mm

Type	A (L1)	B (L2)	C (W)	D (H)
BSN 50, BSN 70	117	98	65	52
BSN 100	122	107	65	53
BSN 150	133	117	79	64
BSN 250	159	144	75.5	64
BSN 400	165	155	96	82

Data valid for typical lamps (may vary per type)

Type	For lamps	Ignitor	Mains voltage/freq. V/Hz	Max. cable cap. nF	PF Cap. uF/V	Lamp Power W	Ballast losses W	Current nominal A	Current max. A	Max. cable length m	Tw=130 dT °C
BSN 50 L33 TS	SON 50W	SN 57 ...	230/50	4	10/250	50	9.5	0.3	0.45	40	50
BSN 50 L34 TS	SON 50W	SN 57 ...	240/50	4	10/250	50	10	0.3	0.45	40	50
BSN 70 L33 TS	SON 70W	SN 57 ...	230/50	3.5	12/250	70	10.5	0.45	0.6	35	50
BSN 70 L34 TS	SON 70W	SN 57 ...	240/50	3.5	12/250	70	11	0.45	0.6	35	50
BSN 100 L33 TS	SON 100W	SN 58 ...	230/50	2.5	12/250	100	13.6	0.6	0.9	25	65
BSN 100 L34 TS	SON 100W	SN 58 ...	240/50	3	12/250	100	13.8	0.6	0.9	30	65
BSN 150 L33 TS	SON 150W	SN 58 ...	230/50	3	18/250	150	19	0.85	1.2	30	70
	CDM 150W	SN 58T15..	230/50	1	18/250	147	19	0.85	1.2	10	70
	MH... 150W	SN 58T15..	230/50	1	18/250	150	19	0.85	1.2	10	70
BSN 150 L34 TS	SON 150W	SN 58 ...	240/50	3	18/250	150	20	0.85	1.2	30	70
	CDM 150W	SN 58T15..	240/50	1	18/250	147	20	0.85	1.2	10	70
	MH... 150W	SN 58T15..	240/50	1	18/250	150	20	0.85	1.2	10	70
BSN 250 L33 TS	SON 250W	SN 58 ...	230/50	2	32/250	250	26	1.4	2.3	20	80
	MH... 250W	SN 58 ...	230/50	2	32/250	252	26	1.4	2.3	20	80
	HPI(Plus) 250W	SN 58 ...	230/50	2	32/250	302	26	1.4	2.3	20	80
BSN 250 L34 TS	SON 250W	SN 58 ...	240/50	2	32/250	250	26	1.4	2.3	20	80
	MH... 250W	SN 58 ...	240/50	2	32/250	252	26	1.4	2.3	20	80
	HPI(Plus) 250W	SN 58 ...	240/50	2	32/250	302	26	1.4	2.3	20	80
BSN 400 L33 TS	SON 400W	SN 58 ...	230/50	2	45/250	400	29	2.2	3.6	20	80
	HPI(Plus) 400W	SN 58 ...	230/50	2	45/250	454	29	2.2	3.6	20	80
BSN 400 L34 TS	SON 400W	SN 58 ...	240/50	2	45/250	400	30	2.2	3.6	20	80
	HPI(Plus) 400W	SN 58 ...	240/50	2	45/250	454	30	2.2	3.6	20	80

1) All types also without thermoswitch available on request
 2) Other voltages and frequencies on request
 3) Ballast can also be used in combination with series ignitors

Definition

HID-HeavyDuty are encapsulated electromagnetic ballasts, of copper/iron construction, for use in combination with an external ignitor (except with SON-I lamps), for CDM, MH and SON lamps.

Description

- Orthocyclic winding process results in limited ballast coil volume and reduced weight, with minimum watt losses
- Ballasts standard equipped with screw terminal blocks; insert contacts on request
- Separate earth-contact
- Simple installation and cabling.
- All ballasts equipped with thermoswitch for maximum safety.

Applications

The applications will be similar to Those of the related lamps. HID-HeavyDuty ballasts are suitable for application in luminaires or poles under normal humid conditions (not dripproof).

Compliances and approvals

- RFI EN 55015
- Harmonics EN 61000-3-2
- Safety EN 60922
- Performance EN 60923
- Quality standard ISO 9001
- Environmental standard ISO 14001
- Approval marks ENEC
- CE marking.

HeavyDuty ballasts for SON, HPI(Plus), MH and CDM lamps with semi-parallel ignitor

Ordering and packaging data

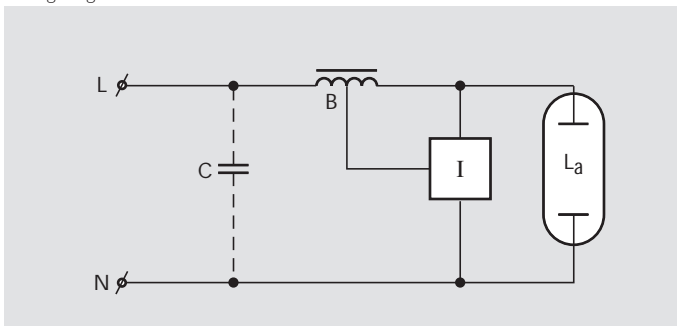
Ballast	1 Piece		Bulk packing							
	EAN code	Weight kg	Qty. pcs.	Dimensions (cm)			Volume m ³	Weight kg	EAN code	EOC
				L	W	H				
BSN 50 L33 TS	8711500 748225	1.1	6	20.8	13.9	11.4	0.003	7.50	8711500 748225	748225
BSN 50 L34 TS	8711500 748249	1.1	6	20.8	13.9	11.4	0.003	7.50	8711500 748249	748249
BSN 70 L33 TS	8711500 059680	1.2	6	20.8	13.9	11.4	0.003	7.70	8711500 062154	059680
BSN 70 L34 TS	8711500 059703	1.2	6	20.8	13.9	11.4	0.003	7.70	8711500 062161	059703
BSN 100 L33 TS	8711500 059727	1.3	6	20.8	13.9	11.4	0.003	7.90	8711500 061614	059727
BSN 100 L34 TS	8711500 059741	1.3	6	20.8	13.9	11.4	0.003	7.90	8711500 061621	059741
BSN 150 L33 TS	8711500 059604	1.8	6	25.3	14.2	13.9	0.005	10.8	8711500 059611	059604
BSN 150 L34 TS	8711500 059628	1.8	6	25.3	14.2	13.9	0.005	10.8	8711500 059635	059628
BSN 250 L33 TS	8711500 059642	2.7	6	25.3	16.7	13.9	0.006	16.3	8711500 059659	059647
BSN 250 L34 TS	8711500 059666	2.7	6	25.3	17.6	13.9	0.006	16.3	8711500 059673	059666
BSN 400 L33 TS	8711500 059765	5.8	4	21.6	18.2	17.7	0.007	18.0	8711500 059772	059765
BSN 400 L34 TS	8711500 059789	5.8	4	21.6	18.2	17.7	0.007	18.0	8711500 059796	059789

Technical data for installation

Mains operation

With tolerances for performance	-8%...+6%
With tolerances for operation	-10...+10%
Operation frequency (typical)	50 Hz
Power factor with specified capacitor (minimum)	0.85

Wiring diagram



Wire cross-section:

On the mains side: 0.75...2.5 mm²

Strip length:

6 mm